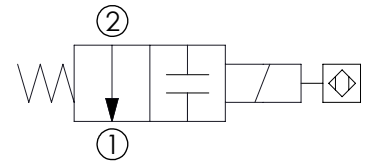
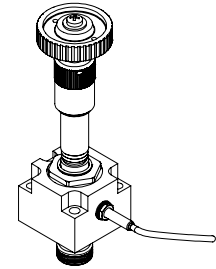
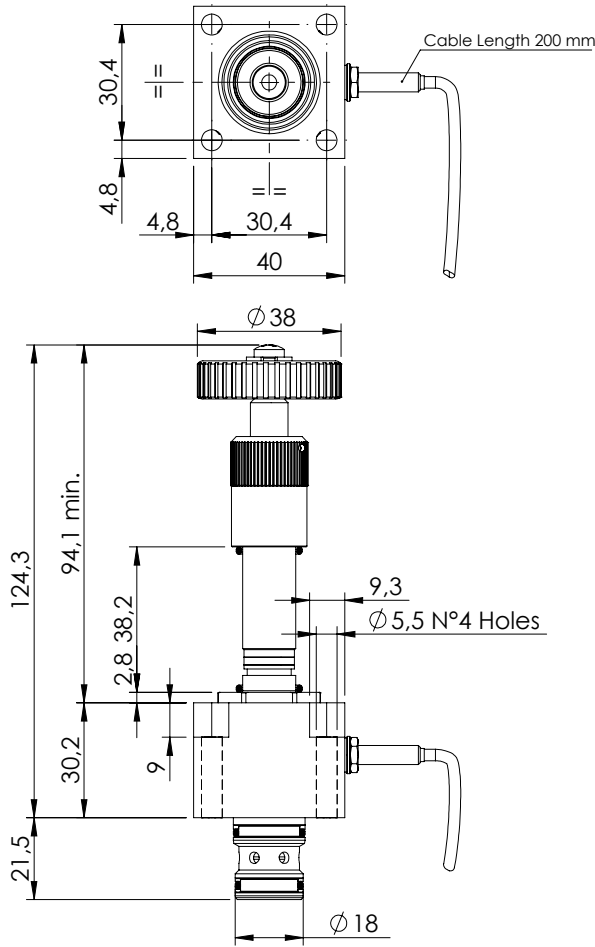


SOLENOID OPERATED CARTRIDGE

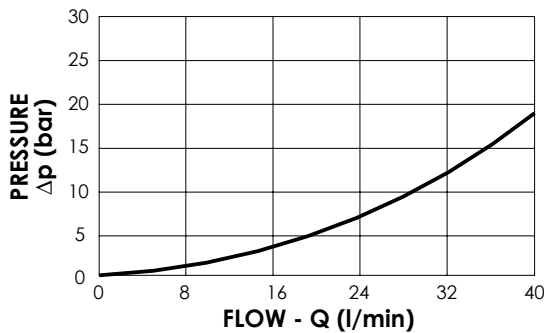
CEBD-040-NAMV

**DIRECT OPERATED
POPPET TYPE
POSITION SENSOR**



SPECIFICATIONS

Max. operating pressure:	350 bar
Rated flow:	40 l/min
Cavity:	VP000338
Weight:	0,5 kg
Min. voltage required:	90% of nominal
Coil type:	M14 type
Installation torque:	5 Nm
Seal kit:	RD700338



NOTES

To be mounted with M5x30 screws
 Maximum pressure in (2): 100 bar

ORDERING CODES

Quick code	Description	Sensor type
CE000818	CEBD-040-NAMV-97-338-N350	Valve not energized Sensor open (PNP-NO)
CE000819	CEBD-040-NACV-97-338-N350	Valve not energized Sensor closed (PNP-NC)